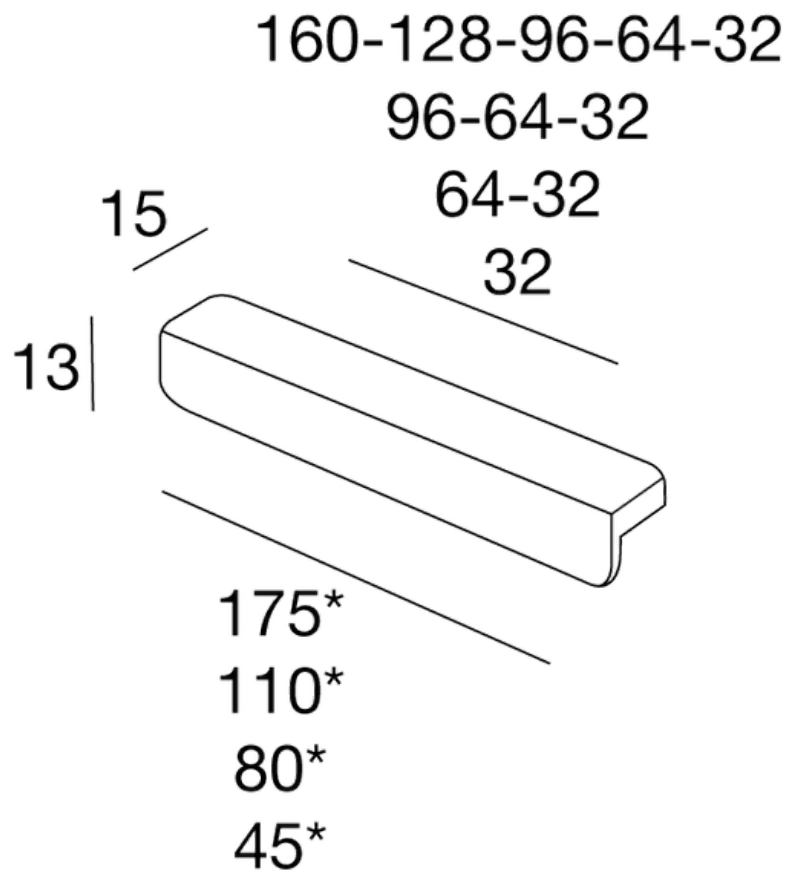


pamar

MN 886 Z



interasse multiplo / multiple inter-axial