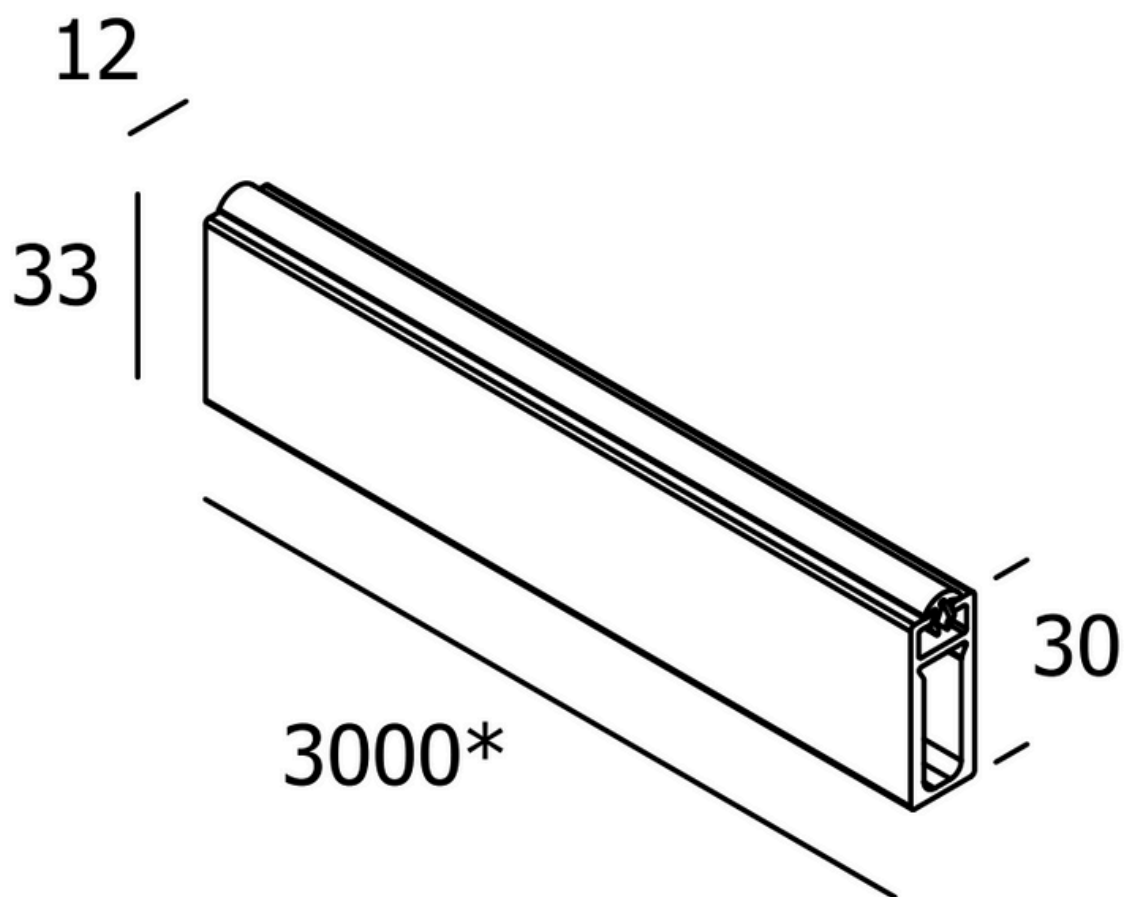


# pamar

## TJ 3012 I



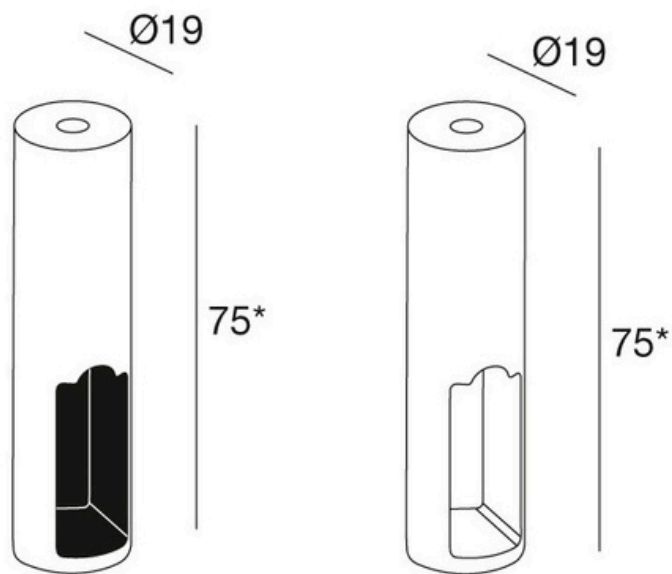
---

Pamar S.r.l.  
Via Sirtori 41, 20838  
Renate (MB), Italy

*International patents have been deposited for Pamar models.  
Imitations will be punished by law.*

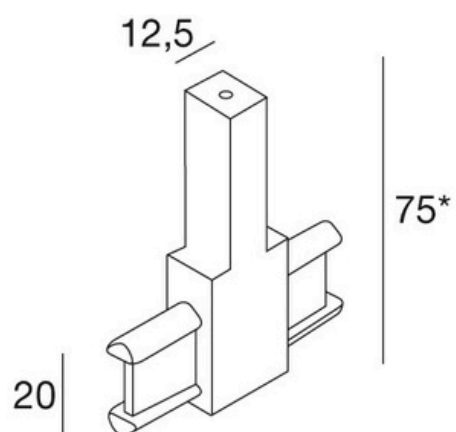
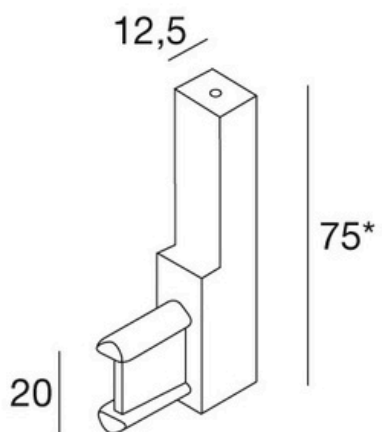
# pamar

## VR 167 - VR 168



# pamar

## VR 160 - VR 161



# pamar

## VR 206

