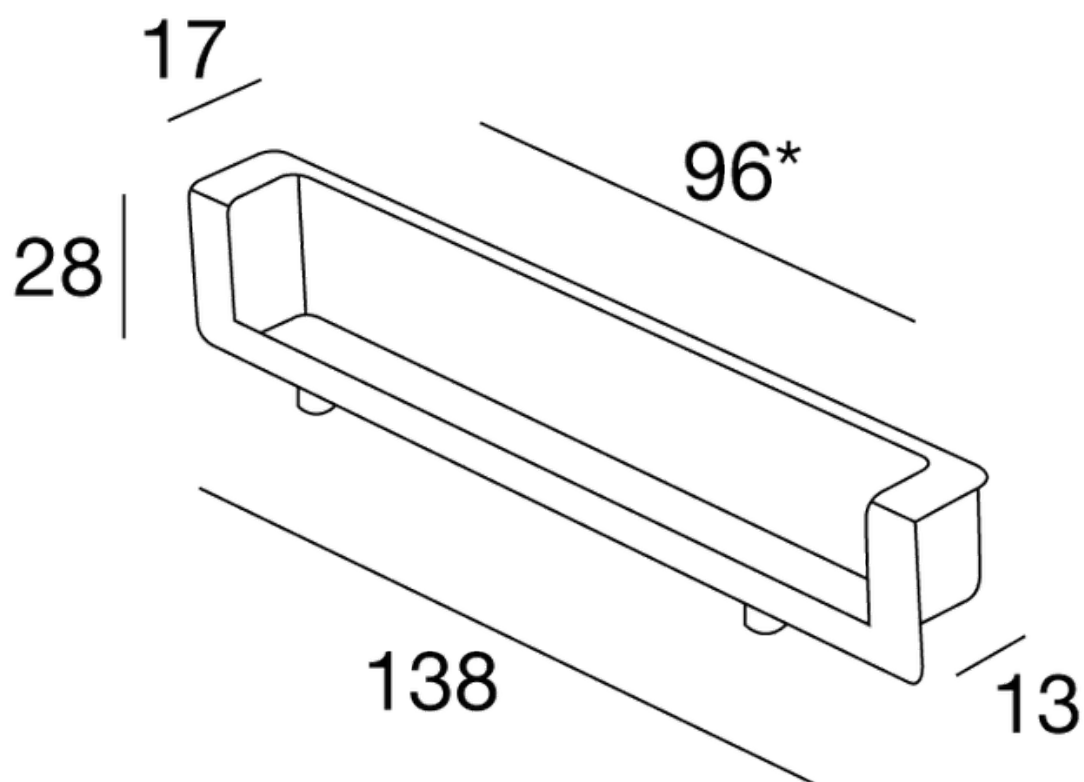


pamar

MN 744 Z



Pamar S.r.l.
Via Sirtori 41, 20838
Renate (MB), Italy

*International patents have been deposited for Pamar models.
Imitations will be punished by law.*